

Kruz

DUMP BODY

ENGINEERED FOR RIGOROUS USE AND LONGEVITY



Steel Dump Body by Kruz

High-Strength, Abrasive Resistant Heavy-Duty Steel Performance

Kruz offers you extraordinary strength-to-weight ratios; bringing computer aided design and high-strength steel alloy construction to dump truck body performance. Kruz dump bodies are an investment in higher legal payload, longer product life, lower maintenance and better resale value.

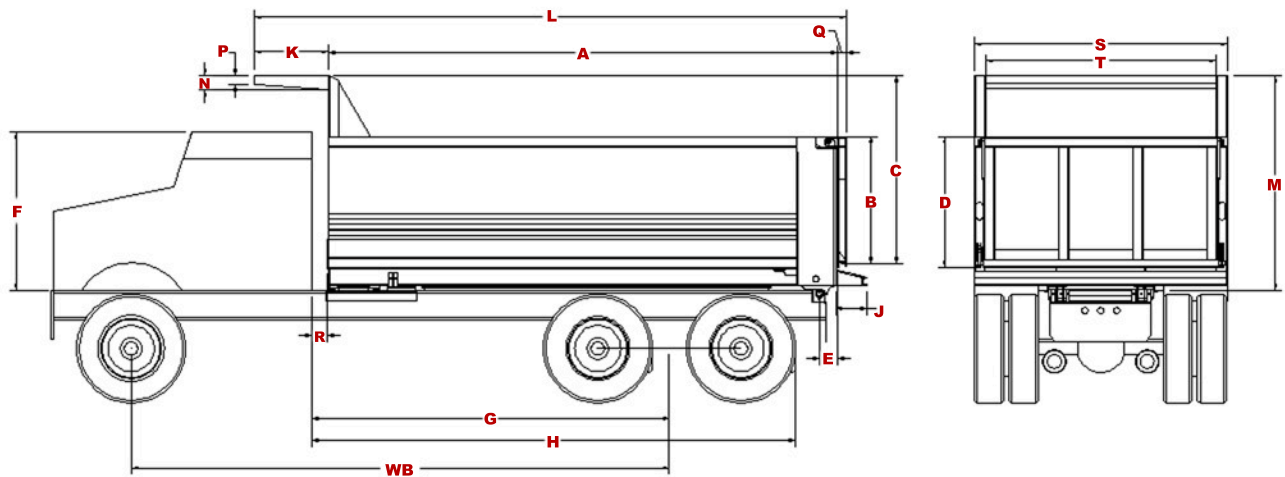
The Features You Need

- Lengths to 24 feet
- Flat front standard, notched front optional
- Crossmember-less with heavy duty long sill and extruded rubber chassis cushion
- Complete body and hoist mounting kits available
- AR 450 Abrasive Resistant Steel

The Options You Want

- 1/4-5/16-3/8-inch floor full length
- Splash guards front of tandem
- Spreader chains
- Coal chute
- Sloped tailgate
- Rear apron
- Cab shields half or full

Body Diagram & Specs



A	LENGTHS FROM 12' TO 20'	H	BACK OF CAB TO REAR OF TIRE	Q	TAILGATE THICKNESS 4MM
B	SIDE HEIGHTS FROM 48" TO 72"	J	SPREADER PAN: NONE IS STD	R	MINIMUM CAB CLEARANCE 3.00
C	FRONT POST HEIGHT FROM 48" TO 72"	K	CAB SHIELD: NONE IS STD	S	OVERALL WIDTH 95.5" STD
D	TAILGATE HEIGHT FROM 48" TO 72"	L	OVERALL LENGTH	T	INSIDE WIDTH 87.5"
E	MINIMUM OVERHANG IS 6"	M	OVERALL HEIGHT	WB	WHEEL BASE
F	CAB HEIGHT	N	CAB SHIELD HEIGHT		HOIST: CUSTOM OR PARKER HANNIFIN
G	CAB TO SUSPENSION CENTER LINE	P	FRONT CAB SHIELD HEIGHT DIMENSION		CUBIC YARD CAPACITY: 12 TO 30

TOP RAIL: 3/16" wall - 4" Square Steel Tube

SIDES: .4mm Abrasive Resistant Steel with Radius inside Corners: Heights from 42" to 72". optional thickness available
Full Length Body Fenders

FLOOR: .3/16 Abrasive Resistant Steel Crossmember-less with Heavy duty long sills and rubber chassis cushion. Optional thickness available

LONGITUDINALS: Fabricated with extended floor support

REAR POST: 15" wide x 4" deep x 3/16" formed

MUDFLAPS: Kruz heavy-duty spray-suppressant black rubber

FRONT: 3/16" Abrasive Resistant Steel: Height between 42" and 96", Steps on roadside outside

REAR FLOOR SILL: 8" wide x 4" deep

TAILGATE: 3/16" Abrasive Resistant Steel with dirt shedder braces; heavy-duty hardware. Over-center latches provide positive-locking air-operated control, including air tailgate mounting kit; rear height from 42" to 72",
Spreader Apron: Optional

ELECTRICAL: LED lights STD. One on front and rear posts. One light on rear post facing rear, each side. STT lights in rear posts.

***Photos may show optional equipment. Product specifications subject to change without notice.*



Kruz

KRUZ INC
KNOX, IN 46534

PH: 574-772-6673 * FX: 574-772-3298
www.kruzinc.com

CALL FOR A DEALER NEAREST YOU!