

**THE RAVENS**  
**ECLIPSE 52**  
**By Kruz**

**DROP DECK**  
**PLATFORM**

THE ULTIMATE LIGHTWEIGHT TRAILER



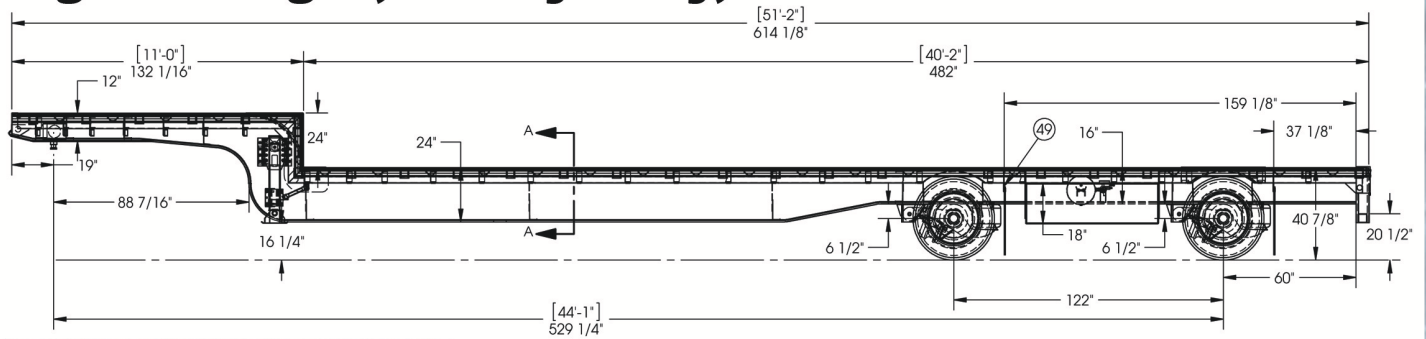
**DROP DECK**  
**ALUMINUM TRAILER**

Built from high strength aluminum alloys, Ravens 'Eclipse 52' Drop Deck by Kruz is engineered for strength at light weights which improves your payload capacity.

Ravens 'Eclipse 52' Drop Deck by Kruz platform trailers with their distinctive swirl finish set the industry standard for capacity and performance and are available at dealers from coast to coast.

**Kruz**

# High Strength, Heavy-Duty, Aluminum Performance



Fabricated Main Rail



Galvanized suspension hangers and landing gear braces are standard



Hollow-core, 1-1/2-inch-deep floor of tough 6061-T6 aluminum alloy is welded along its full length to main beams to reinforce upper body strength

## Specifications

- Floor** 1-1/2" depth, multi-hollow core extruded aluminum (6061-T6) with (2) wood nailers
- Main Rail** 11" deep in neck, 25" deep in main, 17" deep at rear
- Outer Rail** 6-3/4" deep extruded aluminum (6061-T6) one piece with integrated "J" track
- Rub Rail** 3-1/4" wide x 3/8" aluminum full length each side 6061-T6
- Front Channel** 9-3/4" deep one piece full width (6061-T6), square corners
- Crossmembers** 5" aluminum channel (6061-T6) on 15" or 22" centers.
- Bumper** Two (2) heavy-duty vertical risers with 4" wide horizontal tube.
- Dock Bumper** Two rubber bumpers.
- Stake Pockets** 4" H x 4" W x 1-5/8" D inside dimension on 24" centers with one (1) HD spool
- Mud Flaps** Heavy-duty spray suppressant black rubber
- Lengths** 48', 51', and 53'
- Widths** 96" or 102"
- Tires** 255/75R22.5 OEM
- Wheels/Disc** Eight (8) 8.25 x 22.5", 10-hole disc, hub piloted, unimount, machine finish aluminum wheels.
- Hubs** Four (4) 10-stud hub piloted - Cast or Duralite.
- Drums** Outboard mount light-weight hub piloted.
- Brakes** 16-1/2" x 7" Q-plus, non-asbestos lining with quick-change features, automatic slack adjusters, 4S/2M ABS system standard with aluminum air tank
- Suspension** Air ride
- Axles** 71-1/2" or 77-1/2" track to match suspension.
- Upper Coupler** 48" height nominal
- Landing Gear** Aluminum two-speed 50,000-lb capacity
- King Pin Plate** 1/2" aluminum plate, 19" from front standard
- Electrical** DOT; sealed LED lights and harness
- Finish** Swirl-finished aluminum suspension frame. All steel parts are galvanized.



Two (2) heavy-duty vertical risers with 4" wide horizontal tubes.

Beam Load Ratings*				
Trailer Size	4 FT.	8 FT.	20 FT.	Base** Weight
48'	52,000	58,000	72,000	8,400

\* Load ratings calculated based on 10 ft. widespread suspension  
 \*\* Base model without options. Selected options may increase or decrease weight of finished trailer

PHOTOS MAY SHOW OPTIONAL EQUIPMENT.  
 PRODUCT SPECIFICATIONS SUBJECT TO CHANGE WITHOUT NOTICE.